

RENTAL
EQUIPMENT

CATERING &
REFRIGERATION



LOWE
WORLDWIDE RENTAL SPECIALISTS



Asia

Worldwide
Rental Specialists In
Refrigeration,
Catering Equipment &
Temporary Kitchens












LOWE RENTAL:

Lowe is a global, innovative, ambitious and award-winning refrigeration and catering rental company. Established in 1977, **Lowe** has grown to be the largest globally recognised rental company for the retail, exhibitions and events markets.

Listen, empower and accomplish are the company's core values, interwoven throughout the business and its interactions with clients.

KEY: UNIT SUITABLE FOR

						
Fish and Seafood	Fresh Meat	Dairy	Deli and Cooked Meats	Cakes	Drinks	Freezer

A1: 1.3m Curved Glass Display Counter

- Fan assisted
- Internal light
- Refrigerated storage

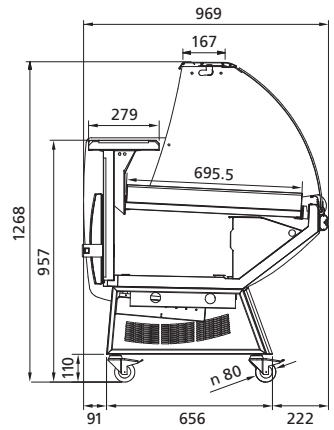
A2: 1.9m Curved Glass Display Counter

- Fan assisted
- Internal light
- Refrigerated storage

(Both suitable for crushed ice display on request)
(Fridge must be fitted with special ice tray)

Low Glass available on request

Grass mat or ice tray can be provided on request



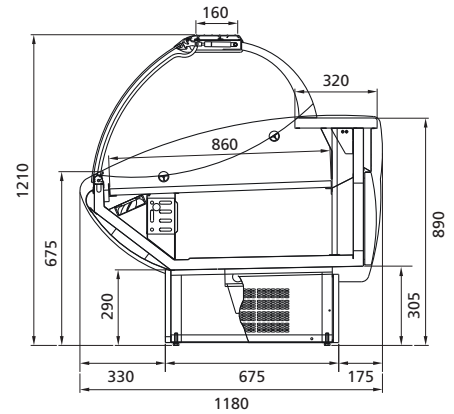
Model	W x H x D (mm)	Display (m ²)	Temp (°C)	Storage (Litres)	Power 24hr	Watts (W)	Amps
A1	1282 x 1268 x 965	0.9	0 ~ +5	132	200/220V 50HZ	750	13A
A2	1882 x 1268 x 965	1.3	0 ~ +5	198	200/220V 50HZ	1000	13A

B1A: 1.04m Curved Glass Display Counter

- Fan assisted
- Internal light
- Refrigerated storage
- Hydraulic lift up front glass
- Ice tray on request

B1P: 1.3m Curved Glass Display Counter

- Fan assisted
- Internal light
- Refrigerated storage
- Hydraulic lift up front glass
- Ice tray on request



Grass mat or ice tray can be provided on request



Model	W x H x D (mm)	Display (m ²)	Temp (°C)	Storage (Litres)	Power 24hr	Watts (W)	Amps
B1A	1040 x 1210 x 1180	0.80	0 ~ +5	158	220V 50HZ	750	13A
B1P	1300 x 1210 x 1180	1.1	0 ~ +5	217	220V 50HZ	1000	13A

C1T: 1m Dairy Case

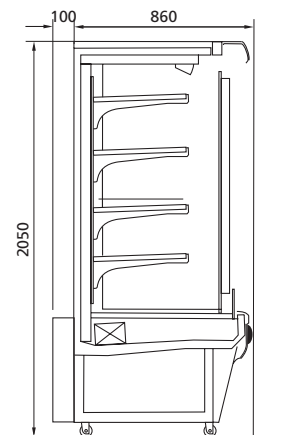
- Multideck
- Fan assisted
- Internal light

C2T: 1.35m Dairy Case

- Multideck
- Fan Assisted
- Internal Light

C1A: Impulse Buy Dairy Case

- Multideck
- Fan Assisted
- Internal Light



For built in cabinets please check actual ventilation size



Image for reference only

Model	W x H x D (mm)	Display (m ²)	Temp (°C)	Storage (Litres)	Power 24hr	Watts (W)	Amps
C1T	1080 x 2050 x 860 + 100 vent	1.26	0 ~ +8	396	200/220V 50HZ	1500	13A
C2T	1350 x 2050 x 860 + 100 vent	1.75	0 ~ +8	550	200/220V 50HZ	2000	13A
C1A	600 x 1590 x 500 + 50 vent	0.45	+2 ~ +8	180	200/220V 50HZ	1000	13A

Note: Items shown above are subject to change due to market availability

C3T: C3T LED Multideck

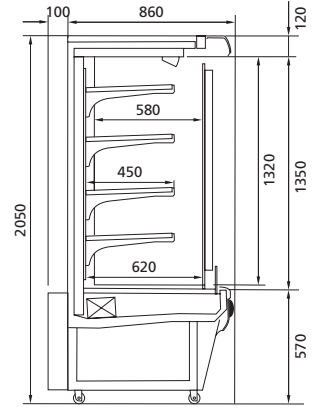
Display Case

- LED light
- Multideck
- Fan assisted

For built in cabinets please check actual ventilation size



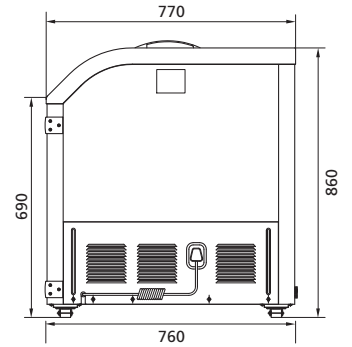
16 Amp Blue C Form



Model	W x H x D (mm)	Display (m ²)	Temp (°C)	Storage (Litres)	Power 24hr	Watts (W)	Amps
C3T	2020 x 2050 x 860 +100 vent	2.90	0 ~ +8	1619	200/220V 50HZ	2500	16A

D1C: 1.5m Curved Glass Display Freezer

- Internal light LED
- Includes baskets x 5



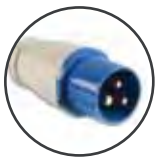
Model	W x H x D (mm)	Display (m ²)	Temp (°C)	Storage (Litres)	Power 24hr	Watts (W)	Amps
D1C	1480 x 860 x 770	~	-18	500	220V 50HZ	1000	13A

D3: 1.5m Open Top Display Island

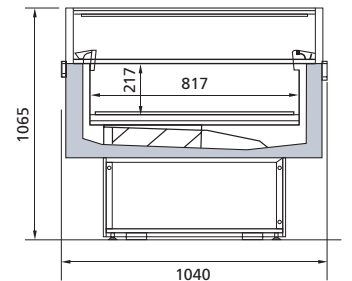
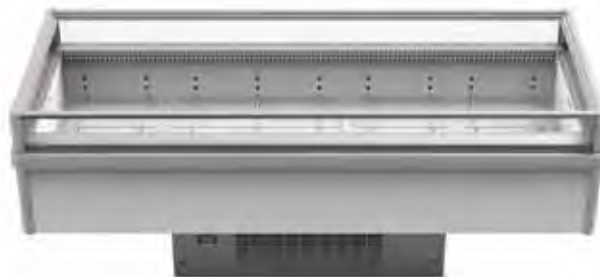
- Integral unit
- Automatic Defrost
- Part glazed sides all round

D4: 2.0m Open Top Display Island

- Integral unit
- Automatic Defrost
- Part glazed sides all round



16 Amp Blue C Form

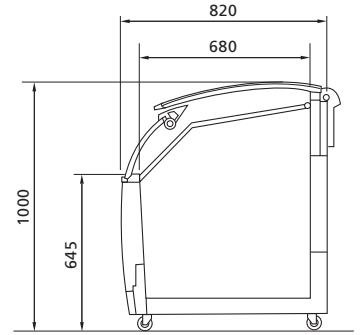
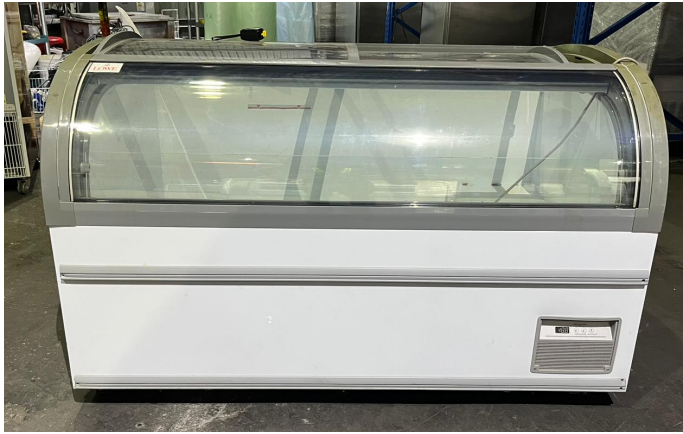


Model	W x H x D (mm)	Display (m ²)	Temp (°C)	Storage (Litres)	Power 24hr	Watts (W)	Amps
D3	1570 x 1065 x 1040	~	0 ~ +2 / -18 ~ -20	~	220V 50HZ	2500	16A
D4	2070 x 1065 x 1040	~	0 ~ +2 / -18 ~ -20	~	220V 50HZ	2500	16A

Note: Items shown above are subject to change due to market availability

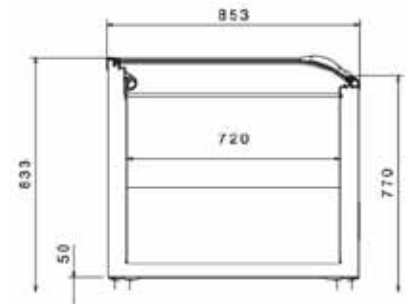
E1N: 1.5m Curved Glass Display Freezer
Glass Lift Up Lid
- Internal light
- Lift up/sliding lids

E2N: 2.2m Curved Glass Display Freezer
Glass Lift Up Lid
- Internal light
- Lift up lid



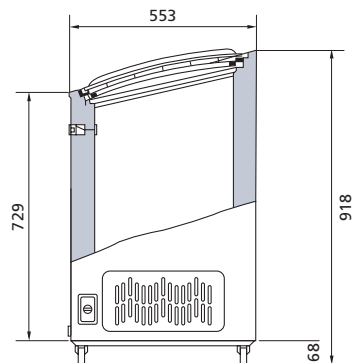
Model	W x H x D (mm)	Display (m ²)	Temp (°C)	Storage (Litres)	Power 24hr	Watts (W)	Amps
E1N	1505 x 1000 x 900	~	-18 ~ -22	480	200/220V 50HZ	1000	13A
E2N	2205 x 1000 x 900	~	-18 ~ -22	742	200/220V 50HZ	1500	13A

E2 AHT: 2.10m LED Curved Glass Display Freezer
- LED light
- Sliding lids



Model	W x H x D (mm)	Display (m ²)	Temp (°C)	Storage (Litres)	Power 24hr	Watts (W)	Amps
E2 AHT	1950 x 912 x 850	~	-18 ~ -22	565	200/220V 50HZ	1000	13A

E1AA: Curved Glass Display Freezer
- Includes baskets
- Internal light
- Sliding lids



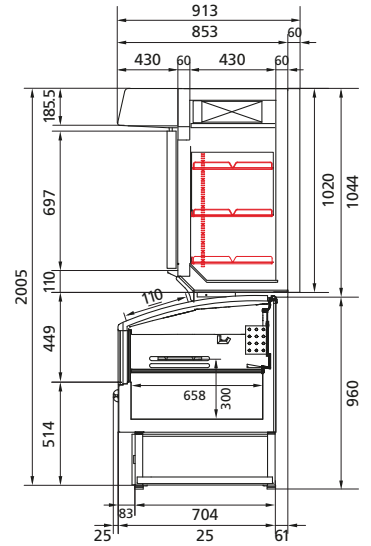
E1A-151L: Display Freezer
- Includes baskets
- Internal LED light
- Sliding lids



Model	W x H x D (mm)	Display (m ²)	Temp (°C)	Storage (Litres)	Power 24hr	Watts (W)	Amps
E1AA	950/1050 x 845/875 x 550/705	~	-18 ~ -22	218	200/220V 50HZ	1000	13A
E1A-151L	584 x 850 x 694 + Canopy	~	-18 ~ -22	151	200/220V 50HZ	1600	13A

Note: Items shown above are subject to change due to market availability

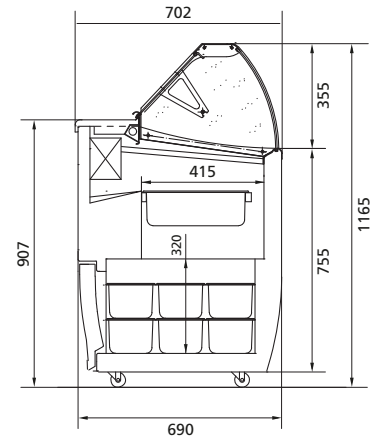
**E4: 1.25m Combi
Freezer Display**
– Internal light



Model	W x H x D (mm)	Display (m ²)	Temp (°C)	Storage (Litres)	Power 24hr	Watts (W)	Amps
E4	1242 x 2005 x 913	~	-18 ~ -20	450/477	200/220V 50HZ	2000	13A

**E5: 7 Scoop Ice Cream
Display Counter**

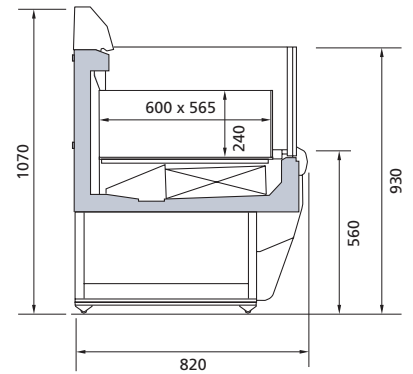
- Frozen Storage at the rear
- Internal light
- Curved glass



Model	W x H x D (mm)	Display (m ²)	Temp (°C)	Storage (Litres)	Power 24hr	Watts (W)	Amps
E5	1314 x 1165 x 702	7 x GN Pan	-15 ~ -20	12 x GN Pan	200/220V 50HZ	1000	13A

**E6A: 1m 3 Sided Display
Chiller/Freezer**

- Overhead canopy lighting
- Automatic system for evaporation of condensing water

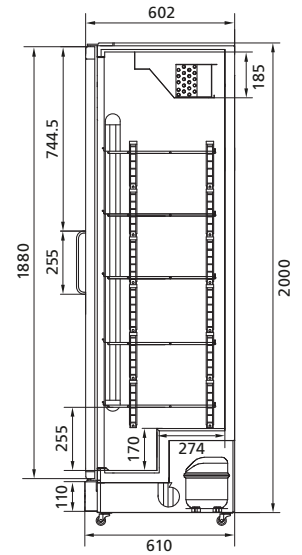


Model	W x H x D (mm)	Display (m ²)	Temp (°C)	Storage (Litres)	Power 24hr	Watts (W)	Amps
E6A	1100 x 1070 x 820	~	-18 ~ +5	120	200/220V 50HZ	2000	13A

Note: Items shown above are subject to change due to market availability

G4: 400L Upright Display Chiller

- Fan assisted
- Adjustable shelving
- Internal Light



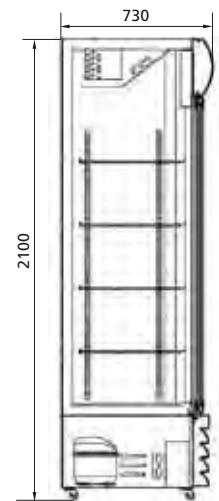
For built in cabinets please check actual ventilation size



Model	W x H x D (mm)	Display (m ²)	Temp (°C)	Storage (Litres)	Power 24hr	Watts (W)	Amps
G4	610 x 2000 x 640	~	+2 ~ +10	400	200/220V 50HZ	500	13A

G6: 1000L 2 Door Display Chiller

- Hinged doors
- Fan assisted
- Adjustable shelving
- Internal Light
- Light canopy



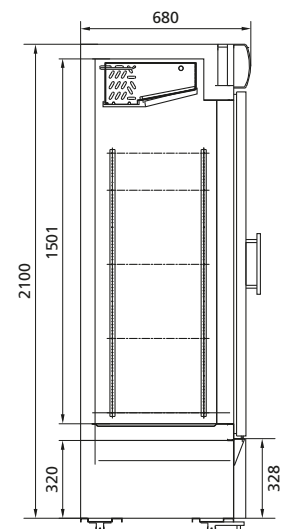
For built in cabinets please check actual ventilation size



Model	W x H x D (mm)	Display (m ²)	Temp (°C)	Storage (Litres)	Power 24hr	Watts (W)	Amps
G6	1200 x 2100 x 730	~	+2 ~ +10	1000	200/220V 50HZ	1000	13A

G8: 1426L 3 Door Display Chiller

- Hinged doors
- Fan assisted
- Adjustable shelving
- Internal Light
- Light canopy



For built in cabinets please check actual ventilation size

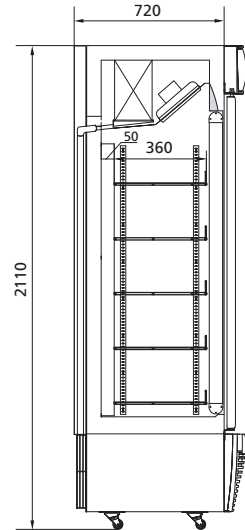


Model	W x H x D (mm)	Display (m ²)	Temp (°C)	Storage (Litres)	Power 24hr	Watts (W)	Amps
G8	2060 x 2100 x 700	~	+2 ~ +10	1320	200/220V 50HZ	850	13A

Note: Items shown above are subject to change due to market availability

G1: 359L Upright Display Freezer

- Internal light
- Fan Assisted
- Adjustable Shelf



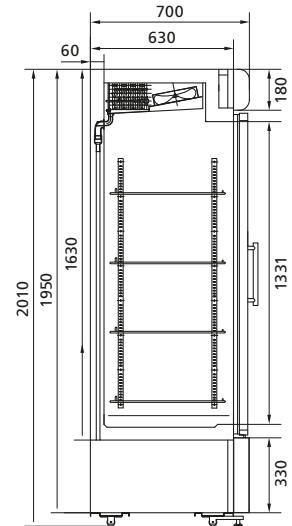
For built in cabinets please check actual ventilation size



Model	W x H x D (mm)	Display (m ²)	Temp (°C)	Storage (Litres)	Power 24hr	Watts (W)	Amps
G1	620 x 2100 x 720	~	-18 ~ -22	359	200/220V 50HZ	1000	13A

G7: 920L 2 Door Display Freezer

- Hinged doors
- Fan assisted
- Adjustable shelving
- Internal Light
- Light canopy



For built in cabinets please check actual ventilation size



Model	W x H x D (mm)	Display (m ²)	Temp (°C)	Storage (Litres)	Power 24hr	Watts (W)	Amps
G7	1200 x 2100 x 730	~	-18 ~ -20	920	200/220V 50HZ	1500	13A

G9: 1426L 3 Door Display Freezer

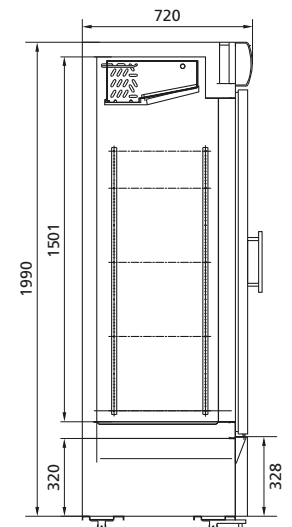
- Hinged doors
- Fan assisted
- Adjustable shelving
- Internal Light
- Light canopy



16 Amp Blue C Form



For built in cabinets please check actual ventilation size

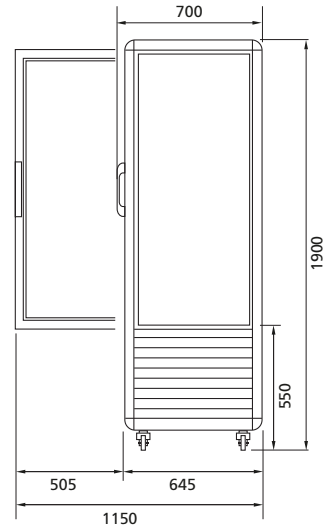


Model	W x H x D (mm)	Display (m ²)	Temp (°C)	Storage (Litres)	Power 24hr	Watts (W)	Amps
G9	2060 x 2100 x 700	~	-18 ~ -20	1426	200/220V 50HZ	3000	16A

Note: Items shown above are subject to change due to market availability

K1T: 4 Sided Glass Door Display Freezer

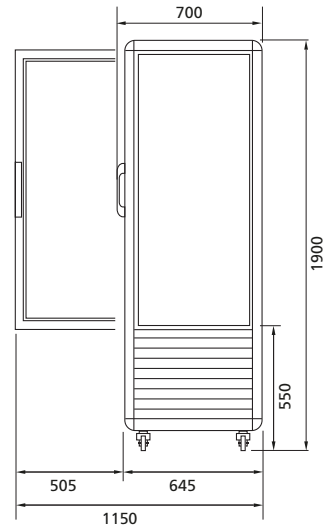
- Fixed shelves
- Fan assisted



Model	W x H x D (mm)	Display (m ²)	Temp (°C)	Storage (Litres)	Power 24hr	Watts (W)	Amps
K1T	700 x 1900 x 700	~	-18 ~ -5	350	200/220V 50HZ	2500	13A

K2T: 4 Sided Glass Door Display Chiller

- Fixed shelves
- Fan assisted
- Internal light



Model	W x H x D (mm)	Display (m ²)	Temp (°C)	Storage (Litres)	Power 24hr	Watts (W)	Amps
K2T	595 x 1810 x 658	~	0 ~ +10	350	200/220V 50HZ	2500	13A

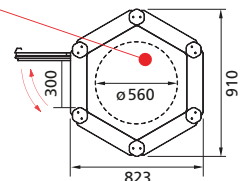
K3: 6 Sided Glass Door Display Chiller

- Rotating circular shelves
- Fan assisted
- Internal light



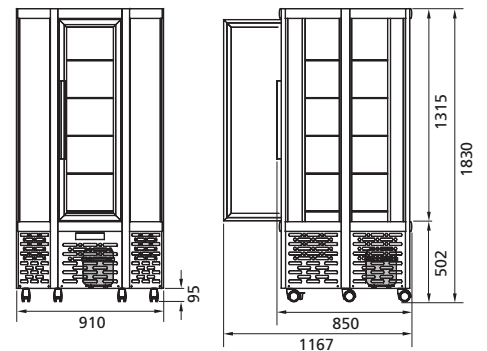
NO-FROST system

- %U.R. 70 (+5 °C)
- %U.R. 40 (-18 °C)



K4: 6 Sided Glass Door Display Freezer

- Rotating circular shelves
- Fan assisted
- Internal light

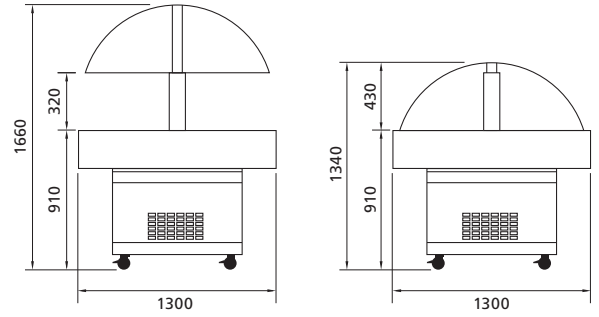


Model	W x H x D (mm)	Display (m ²)	Temp (°C)	Storage (Litres)	Power 24hr	Watts (W)	Amps
K3	910 x 1830 x 850	~	0 ~ +10	570	200/220V 50HZ	2500	13A
K4	910 x 1830 x 850	~	-18 ~ -5	570	200/220V 50HZ	2500	13A

Note: Items shown above are subject to change due to market availability

M1: Isola 1.3m

- Suitable for crushed ice display
- Internal Light
- Fan assisted

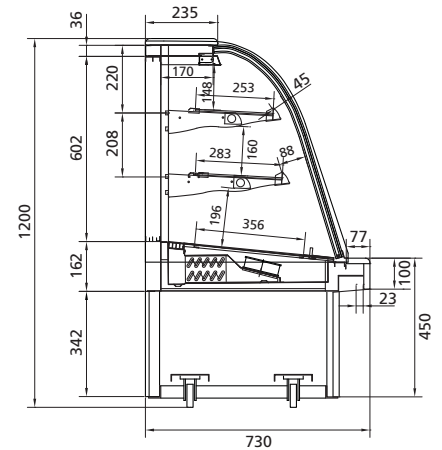


* Plate Rails not included

Model	W x H x D (mm)	Display (m ²)	Temp (°C)	Storage (Litres)	Power 24hr	Watts (W)	Amps
M1	1300 x 1340/1660 x 1300	0.90	0 ~ +10	~	200/220V 50HZ	500	13A

L1A: 1.2m Curved Glass Pâtisserie Case

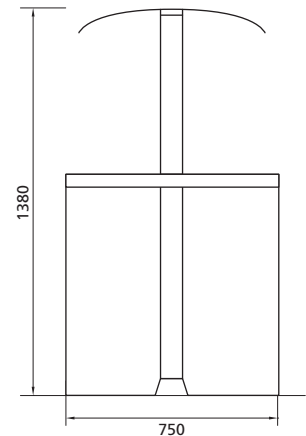
- Fan assisted
- Adjustable glass shelving
- Internal light on each shelf



Model	W x H x D (mm)	Display (m ²)	Temp (°C)	Storage (Litres)	Power 24hr	Watts (W)	Amps
L1	1200 x 1200 x 840	~	+2 ~ +10	360	200/220V 50HZ	1000	13A

N1: GN Salad/Buffer Bar

- Wood finish
- Sneeze guard
- Light canopy

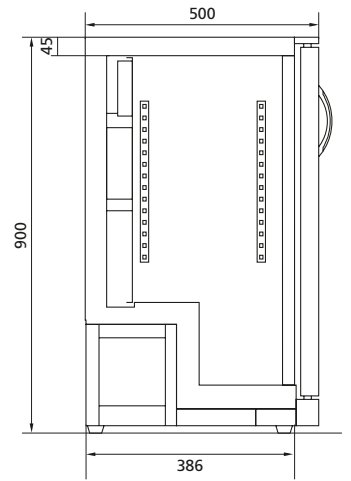


Model	W x H x D (mm)	Display (m ²)	Temp (°C)	Storage (Litres)	Power 24hr	Watts (W)	Amps
N1	1590 x 1380 x 750	~	+2 ~ +10	4 x GN (1/1) Pan	200/220V 50HZ	500	13A

Note: Items shown above are subject to change due to market availability

H3A: 1 Door Front Venting Back Bar Chiller

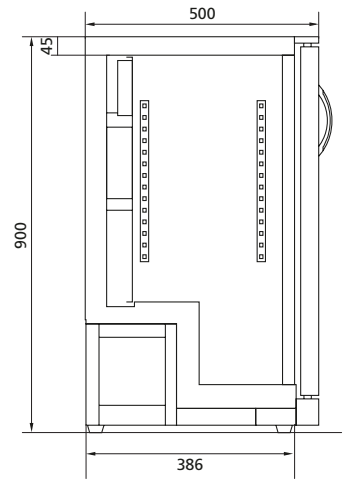
- Fan assisted
- Internal Light
- Adjustable shelving



Model	W x H x D (mm)	Display (m ²)	Temp (°C)	Storage (Litres)	Power 24hr	Watts (W)	Amps
H3A	500 x 900 x 500	~	+2 ~ +10	99	200/220V 50HZ	500	13A

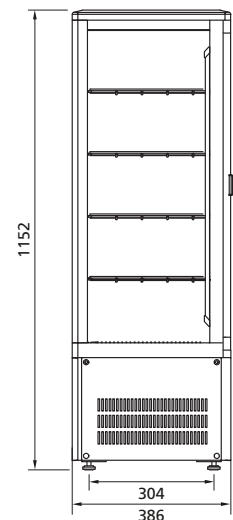
H3DD: 2 Door Front Venting Back Bar Chiller

- Fan assisted
- Internal Light
- Adjustable shelving



Model	W x H x D (mm)	Display (m ²)	Temp (°C)	Storage (Litres)	Power 24hr	Watts (W)	Amps
H3DD	900 x 900 x 500	~	+2 ~ +10	220	200/220V 50HZ	500	13A

H3D: 100L 4 Sided Counter Top Display

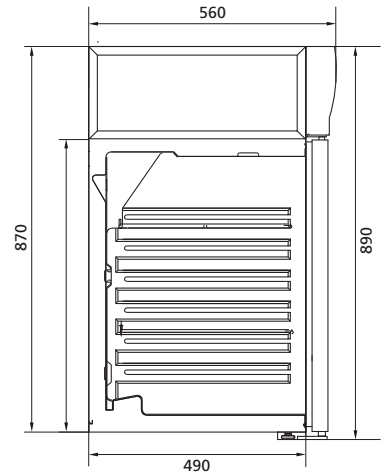


Model	W x H x D (mm)	Display (m ²)	Temp (°C)	Storage (Litres)	Power 24hr	Watts (W)	Amps
H3D	428 x 1150 x 386	~	+3 ~ +8	98	220V 50HZ	500	13A

Note: Items shown above are subject to change due to market availability

N3C: 137 Litre Counter Top Chiller

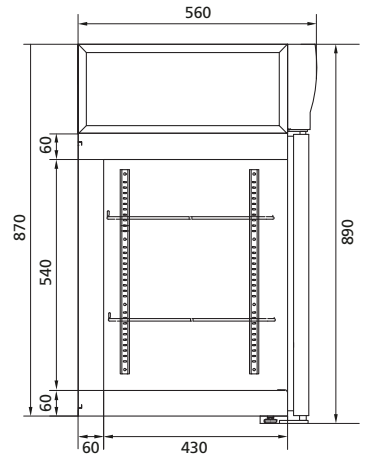
- Fan assisted
- Internal Light
- Adjustable shelving



Model	W x H x D (mm)	Display (m ²)	Temp (°C)	Storage (Litres)	Power 24hr	Watts (W)	Amps
N3C	620 x 890 x 560	~	+2 ~ +8	137	200/220V 50HZ	1000	13A

N2: 113 Litre Counter Top Freezer

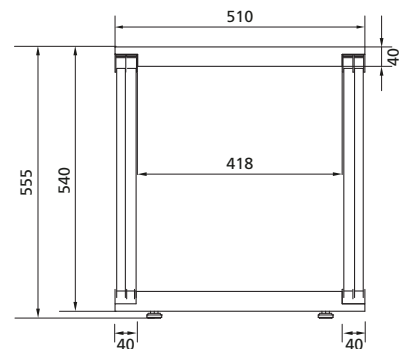
- Static cooling
- Internal Light
- Adjustable shelving



Model	W x H x D (mm)	Display (m ²)	Temp (°C)	Storage (Litres)	Power 24hr	Watts (W)	Amps
N2	620 x 890 x 555	~	-18 ~ -22	113	200/220V 50HZ	1000	13A

CTC: 190 Litre Counter Top Chiller Sliding Door

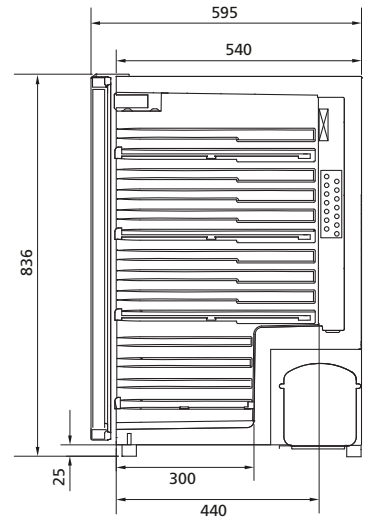
- Fan assisted
- Internal Light
- Adjustable shelving
- Option motor left or right



Model	W x H x D (mm)	Display (m ²)	Temp (°C)	Storage (Litres)	Power 24hr	Watts (W)	Amps
CTC	1310 x 550 x 510	~	+2 ~ +12	190	200/220V 50HZ	500	13A

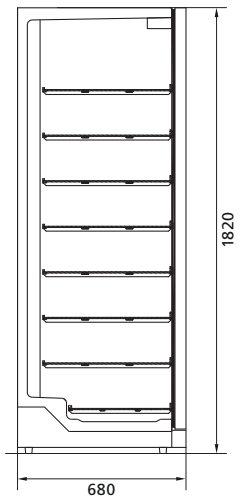
Note: Items shown above are subject to change due to market availability

H1W: 120 Litre Wine Cabinet



Model	W x H x D (mm)	Display (m ²)	Temp (°C)	Capacity	Power 24hr	Watts (W)	Amps
H1W	495 x 850 x 595	~	+5 ~ +18	28 Bottles	200/220V 50HZ	500	13A

G4W: 400 Litre Wine Cabinet



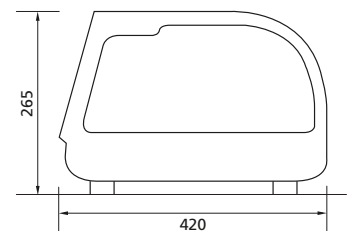
Model	W x H x D (mm)	Display (m ²)	Temp (°C)	Capacity	Power 24hr	Watts (W)	Amps
G4W	600 x 1820 x 680	~	+5 ~ +18	100 Bottles	200/220V 50HZ	500	13A

S1: 1.3m Sushi Bar

- Internal LED light

S2: 1.8m Sushi Bar

- Internal LED light



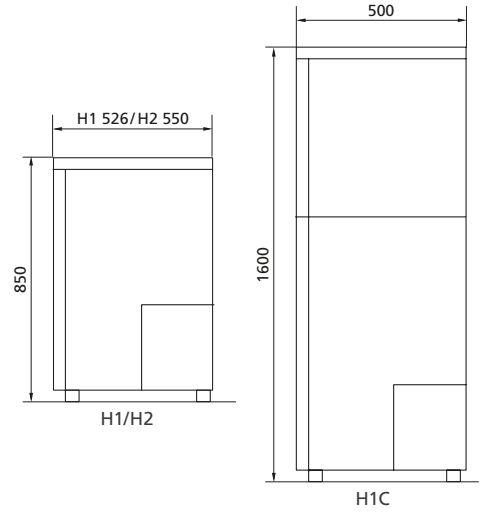
Model	W x H x D (mm)	Display (m ²)	Temp (°C)	Storage (Litres)	Power 24hr	Watts (W)	Amps
S1	1352 x 265 x 420	~	0 ~ +12	~	200/220V 50HZ	500	13A
S2	1800 x 265 x 420	~	0 ~ +12	~	200/220V 50HZ	500	13A

Note: Items shown above are subject to change due to market availability

H1: 120L Storage Refrigerator

H1C: 170L Refrigerator
(Upper Freezer Box)

H2: 120L Storage Freezer

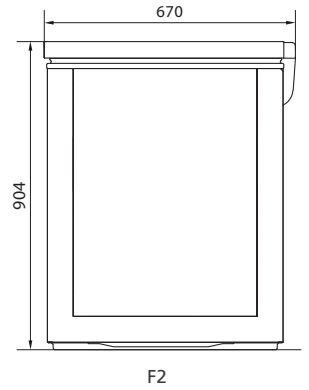


Model	W x H x D (mm)	Display (m ²)	Temp (°C)	Storage (Litres)	Power 24hr	Watts (W)	Amps
H1	540 x 850 x 540	~	+2 ~ +6	120	200/220V 50HZ	500	13A
H1C	540 x 1600 x 630	~	lower +2 ~ +6/upper -18	170	200/220V 50HZ	500	13A
H2	550 x 850 x 600	~	-18	120	200/220V 50HZ	500	13A

F1: 215L Chest Freezer

F2: 408L Chest Freezer

F3: 518L Chest Freezer

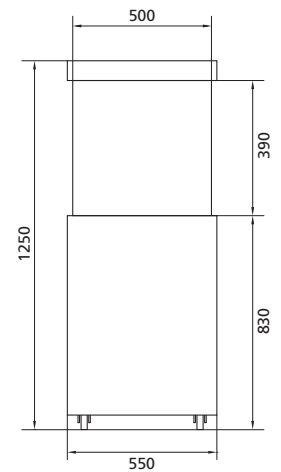


 * Dimensions may vary

Model	W x H x D (mm)	Display (m ²)	Temp (°C)	Storage (Litres)	Power 24hr	Watts (W)	Amps
F1	980 x 850 x 550	~	-18 ~ -20	215	200/220V 50HZ	500	13A
F2	1356 x 904 x 670	~	-18 ~ -20	408	200/220V 50HZ	500	13A
F3	1683 x 904 x 670	~	-18 ~ -20	518	200/220V 50HZ	500	13A

FT: Fish Tank

- Integral unit
- Filtration system
- Internal light
- Adjustable Temperature
- Adjustable PH and salinity levels



Model	W x H x D (mm)	Display (m ²)	Temp (°C)	Storage (Litres)	Power 24hr	Watts (W)	Amps
FT	1550 x 1250 x 550	~	+5 ~ +22	400	220V 50HZ	1000	13A

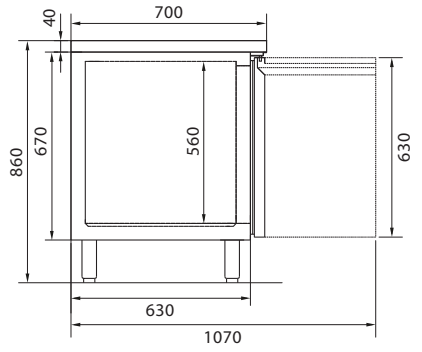
Note: Items shown above are subject to change due to market availability

GN2DBC: 314L Bench Chiller

- Fan assisted
- Adjustable shelving

GN2DBF: 314L Bench Freezer

- Fan assisted
- Adjustable shelving



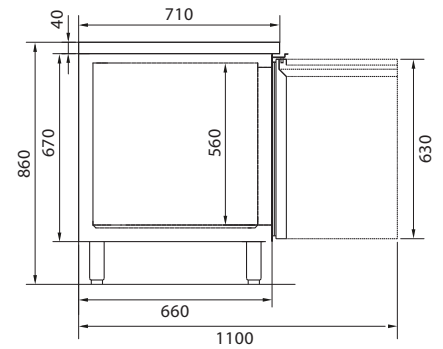
Model	W x H x D (mm)	Display (m ²)	Temp (°C)	Storage (Litres)	Power 24hr	Watts (W)	Amps
GN2DBC	1360 x 860 x 700	~	-2 ~ +8	314	220/240V 50HZ	1000	13A
GN2DBF	1360 x 860 x 700	~	-10 ~ -20	314	220/240V 50HZ	1000	13A

GN3DBC: 540L Bench Chiller

- Fan assisted
- Adjustable shelving

GN3DBF: 540L Bench Freezer

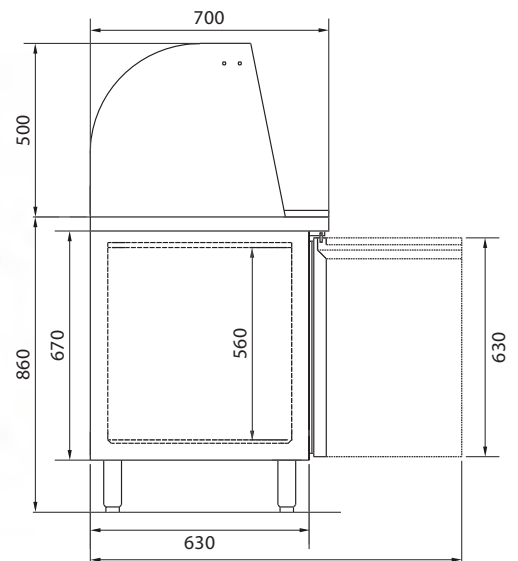
- Fan assisted
- Adjustable shelving



Model	W x H x D (mm)	Display (m ²)	Temp (°C)	Storage (Litres)	Power 24hr	Watts (W)	Amps
GN3DBC	1910 x 860 x 710	~	-2 ~ +8	540	220/240V 50HZ	1000	13A
GN3DBF	1910 x 860 x 710	~	-18 ~ -22	540	220/240V 50HZ	1000	13A

GN3DBC BUFFET: 465L Bench Buffet

- Fan assisted
- Adjustable shelving



Model	W x H x D (mm)	Display (m ²)	Temp (°C)	Storage (Litres)	Power 24hr	Watts (W)	Amps
GN3DBC BUFFET	1795 x 1365 x 700	~	-2 ~ +8	465	220/240V 50HZ	1000	13A

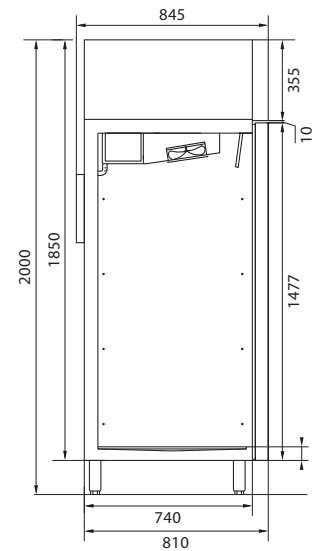
Note: Items shown above are subject to change due to market availability

GN1DUC: 530L Upright Chiller

- Fan assisted
- Adjustable shelving

GN1DUF: 530L Upright Freezer

- Fan assisted
- Adjustable shelving



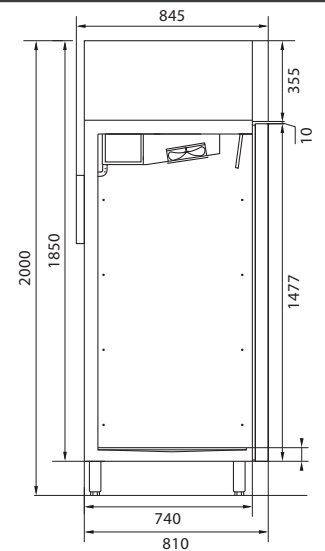
Model	W x H x D (mm)	Display (m ²)	Temp (°C)	Storage (Litres)	Power 24hr	Watts (W)	Amps
GN1DUC	680 x 2000 x 845	~	-2 ~ +8	537	220/240V 50HZ	1000	13A
GN1DUF	680 x 2000 x 845	~	-18 ~ -22	537	220/240V 50HZ	1000	13A

GN2DUC: 1170L Upright Chiller

- Fan assisted
- Adjustable shelving

GN2DUF: 1170L Upright Freezer

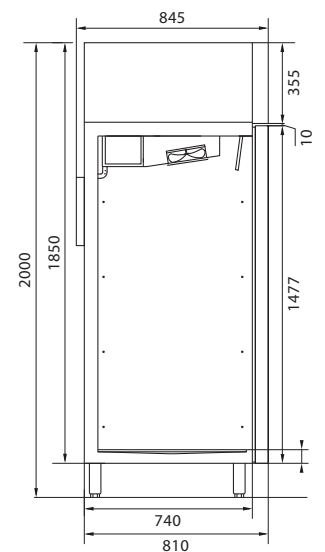
- Fan assisted
- Adjustable shelving



Model	W x H x D (mm)	Display (m ²)	Temp (°C)	Storage (Litres)	Power 24hr	Watts (W)	Amps
GN2DUC	1340 x 2000 x 845	~	-2 ~ +8	1173	220/240V 50HZ	1000	13A
GN2DUF	1340 x 2000 x 845	~	-18 ~ -22	1173	220/240V 50HZ	1500	13A

GN1DUC/F DUAL: Dual Chiller/Freezer

- Fan assisted
- Adjustable shelving



Model	W x H x D (mm)	Display (m ²)	Temp (°C)	Storage (Litres)	Power 24hr	Watts (W)	Amps
GN1DUC/F DUAL	680 x 2000 x 845	~	upper -2 ~ +8 / lower -18 ~ -22	upper 129 / lower 129	220/240V 50HZ	2000	13A

Note: Items shown above are subject to change due to market availability

Coldroom (Modular)

Custom Sizes Available

8x8ft Standard: Coldroom Chiller
 - Modular panels for easy installation
 - Fan assisted
 - Internal light

12x8ft Standard: Coldroom Chiller/ Freezer
 - Modular panels for easy installation
 - Fan assisted
 - Internal light

16x8ft Standard: Coldroom Chiller/ Freezer
 - Modular panels for easy installation
 - Fan assisted
 - Internal light

From caterers at the world's largest sporting events to household name retailers, LOWE Cold Rooms provide the perfect refrigerated storage solution even in the most challenging environments.



16 Amp Blue C Form



Width mm	Depth mm	Height mm
2.4 (8ft)	2.4 (8ft)	2.2
2.4 (8ft)	3.6 (12ft)	2.2
2.4 (8ft)	4.8 (16ft)	2.2
2.4 (8ft)	6.0 (20ft)	2.2
2.4 (8ft)	7.8 (24ft)	2.2
2.4 (8ft)	8.4 (28ft)	2.2
2.4 (8ft)	9.6 (32ft)	2.2
2.4 (8ft)	12.0 (40ft)	2.2

Model	W x H x D (mm)	Display (m ²)	Temp (°C)	Storage (Litres)	Power 24hr	Watts (W)	Amps
8x8ft Standard Chiller	2400 x 2200 x 2400	~	-2 ~ +10	3 cubic metres	220/240V 50HZ	1 x 2000 per motor	16A
8x12ft Standard Chiller	3600 x 2200 x 2400	~	-2 ~ +10	4.5 cubic metres	220/240V 50HZ	2 x 2000 per motor	16A
8x12ft Standard Freezer	3600 x 2200 x 2400	~	-18 ~ -22	4.5 cubic metres	220/240V 50HZ	2 x 2000 per motor	16A
8x16ft Standard Chiller	4800 x 2200 x 2400	~	-2 ~ +10	6 cubic metres	220/240V 50HZ	2 x 2000 per motor	16A

Note: Items shown above are subject to change due to market availability

Coldroom (Modular)

Custom Sizes Available



Cold room used for beer keg storage



Internal lighting



Internal shelving system



Limited access delivery



Note: Items shown above are subject to change due to market availability

EH21A: Extractor Hood

- 304 Stainless Steel
- Removable Baffle Filters
- Internal light



Model	W x H x D (mm)	Display (m ²)	Temp (°C)	Storage (Litres)	Power 24hr	Watts (W)	Amps
EH21A	2350 x 2300 x 1100	~	~	~	220V	500	13A

GN-COMBI: GN Combi Oven and Base

- 10 x GN 1/1 Tray 25mm or 10 x GN 1/1 65mm pan
- Fan assisted cooking function
- Steam function
- Cooking & steam combination function
- Regeneration hot air & steam function
- Timer / Light / Digital setting / Read Out



Oven base: 863W mm x 900H mm x 730D mm

Water connection in/out on request



Model	W x H x D (mm)	Display (m ²)	Temp (°C)	Storage	Power 24hr	Watts (kW)	Amps
GN-COMBI	910 x 1080 (+base) x 930	~	+50 ~ +250	10 x GN 1/1 Tray	3N-380V	18.9	32A

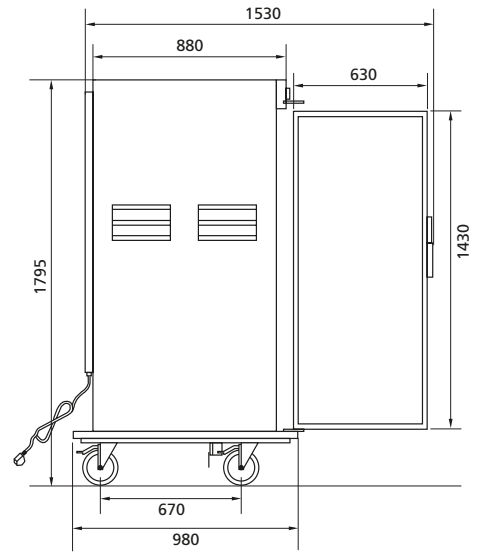
DEF28: Floor Standing Dual Deep Fat Fryer



Model	W x H x D (mm)	Display (m ²)	Temp (°C)	Storage (Litres)	Power 24hr	Watts (kW)	Amps
DEF28	400 x 1100 x 800	~	~	28	3N-380V	18	32A

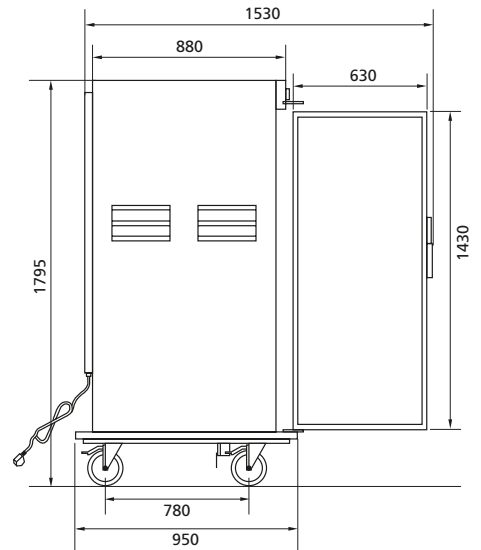
Note: Items shown above are subject to change due to market availability

GN-1DW: 1 Door Warmer Cart



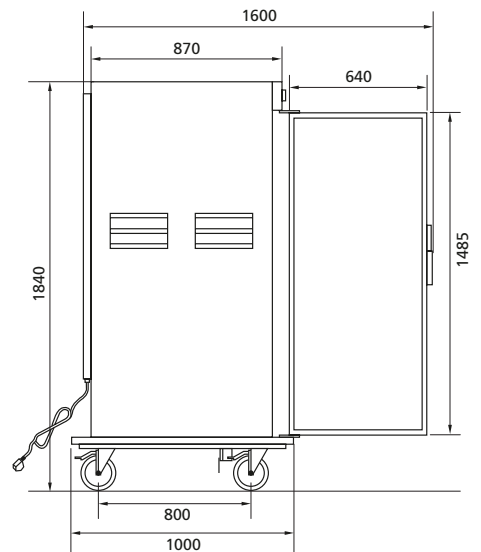
Model	W x H x D (mm)	Display (m ²)	Temp (°C)	Storage	Power 24hr	Watts (kW)	Amps
GN-1DW	800 x 1795 x 980	~	+50 ~ +110	22 x GN 1/1 Pan (Pan depth upto 100mm)	200/220V 50HZ	2.62	13A

GN-2DW: 2 Door Warmer Cart



Model	W x H x D (mm)	Display (m ²)	Temp (°C)	Storage	Power 24hr	Watts (kW)	Amps
GN-2DW	1480 x 1790 x 870	~	+50 ~ +110	44 x GN 1/1 Pan (Pan depth upto 100mm)	200/220V 50HZ	2.62	13A

GN-1DC: 1 Door Chiller Cart

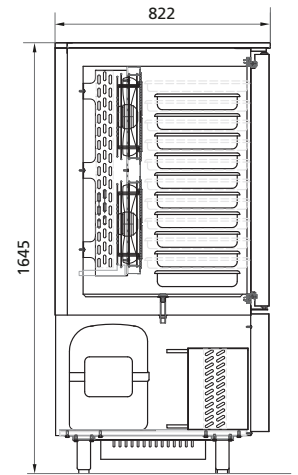


Model	W x H x D (mm)	Display (m ²)	Temp (°C)	Storage	Power 24hr	Watts (kW)	Amps
GN-1DC	740 x 1840 x 1000	~	+2 ~ +5	22 x GN 1/1 Pan (Pan depth upto 100mm)	200/220V 50HZ	3	13A

Note: Items shown above are subject to change due to market availability

GNBCF: GN10 Tray (1/1) Blast Chiller/Freezer

- +70°C/3°C in 90 mins
- +70°C/-18°C in 240 mins



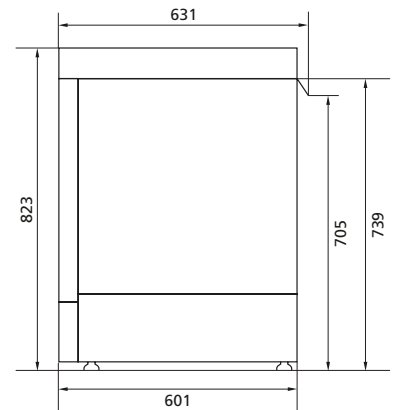
Model	W x H x D (mm)	Display (m ²)	Temp (°C)	Storage (Litres)	Power 24hr	Watts (W)	Amps
GNBCF	800 x 1645 x 822	~	-30 ~ + 70	10 x GN (1/1)	200/220V 50HZ	1000	13A

DGW: Dish/Glass Washer

- 2 minute wash cycle
- 2 plastic trays included
- In-Let: 1 x 13mm diameter
- Drainage: 1 x 40mm diameter
- Available in Hong Kong only



Dishwasher on stand*



* Stand 500mm H to be provided by customer

Model	W x H x D (mm)	Display (m ²)	Temp (°C)	Storage (Litres)	Power 24hr	Watts (kW)	Amps
DGW	600 x 823 x 631	~	~	~	3N-380V	18	30A

H63: Under Counter Ice Machine

H63C: Free Standing Ice Machine

- Available in Hong Kong only



Model	W x H x D (mm)	Ice Shape	Ice Output	Ice Storage (kg)	Power 24hr	Watts (W)	Amps
H63	610 x 910 x 650	Cubic Ice	90kg/24 hrs	40	220/240V 50HZ	650	13A
H63C	560 x 1710 x 760	Cubic Ice	260kg/24 hrs	140	220/240V 50HZ	1300	13A

Note: Items shown above are subject to change due to market availability

GN3DBW: 3 Door Bench Warmer

- 220V/1850W/13A
- 1560W x 850H x 760D mm
- Temperature: +40 ~ +75
- Storage: GN 1/1 Pan



DPW: Dual Plate Warmer

- 220V/800W/13A
- 450W x 770H x 910D mm



H54A: Rotary Toaster

- 300/350 Slices per hour
- 220V/1.94KW/13A
- 368W x 387H x 418D mm



H54B: Toaster

- 220V/2500W/13A
- 370W x 225H x 210D mm



H44A: Mixer 10 LTR

- Capacity 10 litres
- 220V/1000W/13A
- 420W x 750H x 380D mm



H44B:

- Capacity 5 litres
- 220V/500W/13A
- 280W x 400H x 380D mm



Note: Items shown above are subject to change due to market availability

H6A: 2 Bowl Juice Dispenser

- 220V/500W/13A
- 430W x 640H x 430D mm



H7: Water Dispensers (3 x 20lt. Bottle Water)

- 220V/650W/13A
- 300W x 900H x 300D mm



H8A: Barbeque Grill

- used for vegetables, meat or seafood
- 220V/1500W/13A
- 490W x 300H x 360D mm



H9A: Electric Hot Plate Flat

- 220V/3500W/16A
- 550W x 230H x 450D mm

* Special 16Amp power line required (see bottom left blue power line for reference)



16 Amp Blue C Form

H9B: Electric Hot Plate Grooved

- 220V/3500W/16A
- 550W x 230H x 450D mm

* Special 16Amp power line required (see bottom left blue power line for reference)



16 Amp Blue C Form



H10A: Commercial Induction Hot Plate

- 220V/3500W/16A
- 330W x 100H x 420D mm

* Special 16Amp power line required (see bottom left blue power line for reference)



16 Amp Blue C Form

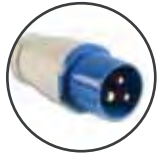


Note: Items shown above are subject to change due to market availability

H10D: Wok Induction Hot Plate

- 220V/3500W/16A
- 342W x 120H x 440D mm

* Special 16Amp power line required (see bottom left blue power line for reference)



16 Amp Blue C Form



* Wok not included

H11A: Premier Coffee Machine

- Water Tank Capacity 2 Litre
- 200-220V/1500W/13A
- 280W x 320H x 420D mm



* Coffee beans not supplied

H11B: 10 Cup Coffee Machine

- 220V/1000W/13A
- 170W x 240H x 200D mm
- Includes filter



* Filter coffee not supplied

H12A: Microwave Oven

- 220V/750W/13A



H12B: Commercial Microwave

- 220V/1800W/13A



H13: Electric Fry Pan/Hot Pan

- 220V/1200W/13A
- 400W x 150H x 340D mm



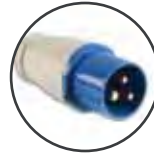
Note: Items shown above are subject to change due to market availability

- H14A: Single Hot Plate**
 – 220V/1500W/13A
 – 335W x110H x 265D mm



- H15A: Counter Top Single Electric Deep Fat Fryer**
 – 220V/3500W/16A
 – 260W x 340H x 410D mm
 – 8 litre capacity

* Special 16Amp power line required (see bottom left blue power line for reference)



16 Amp Blue C Form



- H15B: Counter Top Dual Electric Deep Fat Fryer**
 – 220V/3.5kW + 3.5kW/16Ax2
 – 670W x 335H x 440D mm
 – 2 x 11 litre capacity
 – 2 power cables

* Special 16Amp power line required (see bottom left blue power line for reference)



16 Amp Blue C Form x 2



- H16A: 0.66m Table Top Warmer 0–100°C**
 – 220V/2000W/13A
 – 660W x 635H x 440D mm

- H16B: 1.2m Table Top Warmer 0–100°C**
 – 220V/2000W/13A
 – 1200W x 810H x 480D mm



- H17A: Convection Oven**
 – 220-240V/2800W/16A
 – 600W x 560H x 650 D mm
 – 2 x Cooking Tray (W) 435mm x (D) 320mm
 – Fan assisted cooking – adjustable tray
 – Timer / Light / Manual temperature adjustment
 – Temperature range: +50 / +250 Degrees C

- H17B: Conventional (Toaster) Oven**
 – 220V/2000W/13A
 – 660W x 390H x 355D mm
 – Hot air cooking – adjustable tray
 – Timer / Manual temperature adjustment
 – Temperature range: +30 / +220 Degrees C



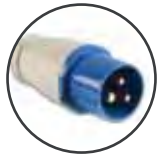
16 Amp Blue C Form



Note: Items shown above are subject to change due to market availability

H17C: GN1/1 4 Tray Convection Oven

- 220V/2800W/16A
- Oven: 820W x 625H x 625D mm Base: 820W x 880H x 650D mm
- 4 x GN 1/1 Tray or 4 x GN 1/1 65mm Pan
- Fan assisted cooking – upper grill function
- Timer / Light / Stand / Digital setting / Read out
- Temperature range: +60 / +250 Degrees C



16 Amp Blue C Form



H18A: Salamander

- 220V/4000W/16A
- 615W x 480H x 540D mm

* Special 16Amp power line required (see bottom left blue power line for reference)



16 Amp Blue C Form



H19: Buffet Trestle Table

- 1820W x 760H x 610D mm



H20: Stainless Steel Table

- H20B: 1200W x 850H x 600D mm
- H20C: 1800W x 850H x 600D mm



H20C3T: 3 Tier Stainless Steel Table

- 1800W x 850H x 700D mm



H20CDD: Stainless steel table with 2 upper shelves

- 1800W x 850(+660)H x 700D mm
- Upper shelf height 660m



Note: Items shown above are subject to change due to market availability

H21A: Stainless Steel Single Sink

- 1 tap
- 700W x 960H x 690D mm
- Internal 1: 560W x 260H x 510D mm
- Water In-Let: 1 x 20mm diameter
- Water Out-Let: 1 x 30mm diameter



* Grease trap & water in/out connection can be provided on request
Grease Trap Sump Pump 220V/16A

H21B: Stainless Steel Dual Sink

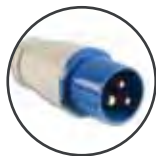
- 1 tap
- H21B: 1200W x 960H x 690D mm
- Internal 2 x 450W x 280H x 450D mm
- Water In-Let: 1 x 20mm diameter
- Water Out-Let: 2 x 30mm diameter



* Grease trap & water in/out connection can be provided on request
Grease Trap Sump Pump 220V/16A

H22A: Counter Top Electric 2-Plate Cooker

- 220V/Large ring 2600W Small ring 2000W - Total 4600W/32A
- 400W x 475H x 650D mm
- Boiling Hot Plate



32 Amp Blue C Form

H23: Single Heat Lamp

- 220V/500W/13A
- 635W x 690H x 460D mm



H23A: Dual Heat Lamp Carving Station

- 220V/500W/13A
- 635W x 690H x 460D mm



H14D: Electric Hot Plate

- 220V/600W/13A

H23G: Dual Heat Lamp

- 220V/500W/13A



Note: Items shown above are subject to change due to market availability

H23B: 4 Heat Lamp Bridge Warmer

- 220V/1800W/13A
- 1360W x 700H x 530D mm



H23C: Gantry Heat Lamp

- 220V/2500W/13A



H24A: Single GN 1/1 Pan Baine Marie

- Counter top warmer
- 220V/1200W/13A
- 338W x 248H x 540D mm



H25A: Counter Top Bain-Marie (5 x GN 1/1 Pan – Pan depth 100mm)

- 220V/3500W/16A
- 1750W x 700H x 630D mm

* Special 16Amp power line required (see bottom left blue power line for reference)

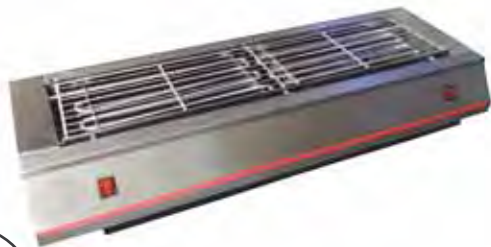


16 Amp Blue C Form



H26: Satay Grill

- 220V/4800W/32A
- +20 – +400°C
- 920W x 175H x 330D mm



32 Amp Blue C Form

H27: Electric Shawarma Grill

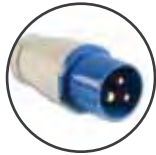
- 3N-380V/9900W/32A
- +20 – +400°C
- 534W x 1015H x 700D mm



Note: Items shown above are subject to change due to market availability

H28A: Dual Pizza Oven (2 x 12 Inch)

- 220V/2.85kW/16A
- Temp 400°C
- 584W x 530H x 635D mm



16 Amp Blue C Form



H28B:

- (4 x 12 Inch)
- 3N-380V/8.4kW/32A
- Temp 400°C
- 910W x 820H x 750D mm



H29A: Counter Top Pasta Cooker
6 Basket

- 220V/6000W/32A
- 600W x 420H x 600D mm
- Water Out-Let: 1 x 21mm diameter



32 Amp Blue C Form



H30: Electric Rice Cooker

- 200-220V/1500W/13A
- +0 - +110°C
- 400W x 330H x 400D mm
- 9 litre capacity



H31A: Panini/Sandwich Press

- 220V/3500W/16A
- 450W x 200H x 400D mm

* Special 16Amp power line required
(see bottom left blue power line for reference)



16 Amp Blue C Form



H32: Electric Rotisserie
(30 Chicken Capacity)

- Power: 3N 380V/11000W/32A
- 1000W x 1110H x 860D mm
- Weight is 195 KG



Note: Items shown above are subject to change due to market availability

H32(20): Chicken Grill & Basket (20 Chicken Capacity)

- Power: 3N 380V/11000W/32A
- 880W x 1250H x 450D mm



H33: Counter Top Lava Rock Electric Grill

- 220V/7200W/32A
- 650W x 480H x 620D mm



32 Amp Blue C Form

H34: GN 2/1,1/1 Pans Various Size & Depth

- H34A GN 2/1 Trolley
- H34B GN 1/1 Trolley



H35: Roll Top Chafing Dish

- 220V/500W/13A
- 630W x 450H x 480D mm



H36A: Meat Slicer
(Blade Diameter 300mm)

- 220V/250W/13A
- 615W x 510H x 525D mm



H37: Counter Top Steamer

- 200-220V/1500W/13A
- +0 - +110°C
- 380W x 745H x 400D mm



Note: Items shown above are subject to change due to market availability

H61: 10 Litre Soup Kettle

- 220V/400W/13A
- 400 Diameter x 380H mm



Racking: 4 Tier Racking

- 1220W x 1600H x 356D mm
- 304 Stainless Steel



H69: Jack Stand

- 84 plate capacity



H41: Chip Warmer

- 220V/720W/13A
- 800W x 650H x 710D mm



H34C: Food Trolley



H42B: GN Hot/Cold Box

- 6 x GN 1/1 pan



Note: Items shown above are subject to change due to market availability

H43A: Blender

- 220V/500W/13A
- 200W x 345H x 245D mm



H43B: Hand Blender

- 220V/500W/13A
- Diameter 70 x 395H mm



H45: Electric Kettle

- 220V/2500W/13A
- 135W x 255H x 250D mm



H46A: Electric Water Boiler 25LTR

- Capacity 25 litres
- 220V/3000W/16A
- Diameter 320 x 550H mm



CH: Glassware & Tableware



H73: Sous Vide 18Ltr. Water Bath/Lid

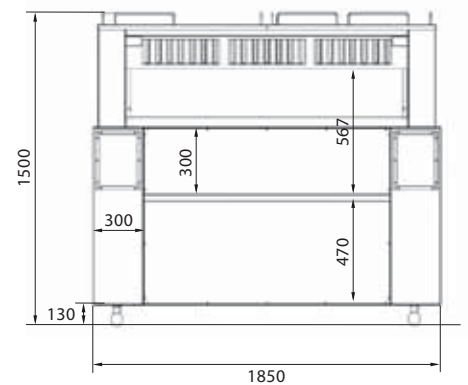
- 220V/1500W/13A



Note: Items shown above are subject to change due to market availability

Chef-Hub

- Stainless Steel Baffle Filters
- Micron Carbon Filters
- Activated Carbon Filters



The Lowe Chef-Hub is a mobile front of house live cooking station

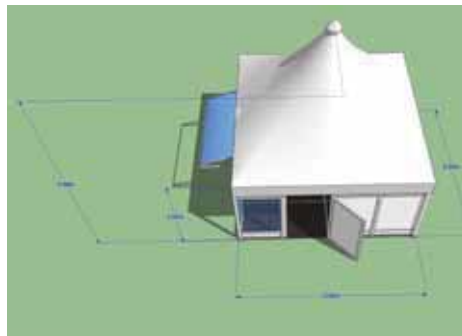
External: (L) 1850mm x (D) 760mm x (H) 1500mm

Internal Shelf: (L) 1250mm x (D) 730mm x (H) 300mm

Power 1: LED Lights, Baffle Filters, Micron Fiber Filters, Activated Carbon Filters, 220V 50Hz, 600 Watts, 13 Amps

Power 2: 380V (3N) 3 Phase 32 Amp – 4 x 220V 16 Amp C Form Connection, 1 x 220V 32 Amp C Form Connection
(Plug & Play Catering Appliances are quoted separately)

Lowe Kitchen Tent PVC & VIP



The Lowe Kitchen Tent is a modular tent kitchen that can be assembled/dismantled in hours
PVC or ABS hard wall panels, Chimney, non-slip cassette flooring & lockable ABS hard panel door
(L) 5000mm x (D) 5000mm with an eve beam height of 2500mm and a chimney peak of 5400mm
Internal Lights & Fans – 380V 125A DB & Internal Cabling, full range of catering plug and play equipment available

Contact

HEAD OFFICE

UNIT J
KNOCKMORE INDUSTRIAL ESTATE
MOIRA ROAD
LISBURN
NORTHERN IRELAND
BT28 2EJ
+44 (0) 28 9260 4619

ENGLAND

LOWE RENTAL LTD.
UNIT 37
MARCHINGTON INDUSTRIAL ESTATE
UTTOXETER, STAFFORDSHIRE
ENGLAND ST14 8LP
+44 (0) 1283 820 717

SCOTLAND

LOWE RENTAL LTD.
UNIT 1B EXCELSIOR PARK
CANYON ROAD
NETHERTON INDUSTRIAL ESTATE
WISHAW
SCOTLAND ML2 0EG
+44 (0) 16983 72902

DUBAI

LOWE REFRIGERATION LLC
DIP 1, FIRST GULF PROPERTIES
WAREHOUSE COMPLEX
WAREHOUSE WO-01
PO BOX 392327
DUBAI, UAE
+971 4 882 9440

USA

LOWE REFRIGERATION INC.
105 CECIL COURT
FAYETTEVILLE
ATLANTA, GEORGIA
USA 30214
+1 770 461 9001

LOWE REFRIGERATION INC.
2711 EAST CRAIG ROAD, SUITE F
NORTH LAS VEGAS
NEVADA
USA 89030
+1 770 461 9001

SINGAPORE

LOWE RENTAL PTE. LTD.
7 KAKI BUKIT CRESCENT
FULLION BUILDING #01-01
SINGAPORE 416239
+65 6284 1552

HONG KONG

LOWE RENTAL LTD.
ROOM 11, 14 FLOOR
WAH WAI CENTRE
38-40 AU PUI WAN STREET
FO TAN, NEW TERRITORIES
HONG KONG
+ 852 2659 5300

CHINA

COLD-LINKS REFRIGERATION RENTAL
SPECIALISTS PRC
BUILDING F 3Q, BUND SOHO, NO. 88
SECOND EAST ZHONGSHAN ROAD
HUANGPU DISTRICT, SHANGHAI
P.R.CHINA, 200002
+86 21 5569 6609

GERMANY

LOWE DEUTSCHLAND GMBH.
HOHLSTUCK 4
56368 KLINGELBACH
GERMANY
+49 (0) 6486 9039 680

ITALY

LOWE ITALIA SRL.
MILANO
ITALY
+39 023 6000 121

SPAIN

LOWE RENTAL LTD.
BARCELONA
SPAIN
+34 9 3800 1963

FRANCE

LOWE RENTAL LTD.
PARIS
FRANCE
+33 1 7676 9751

